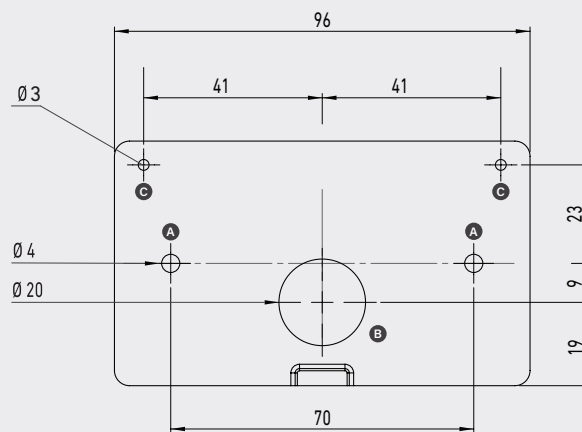
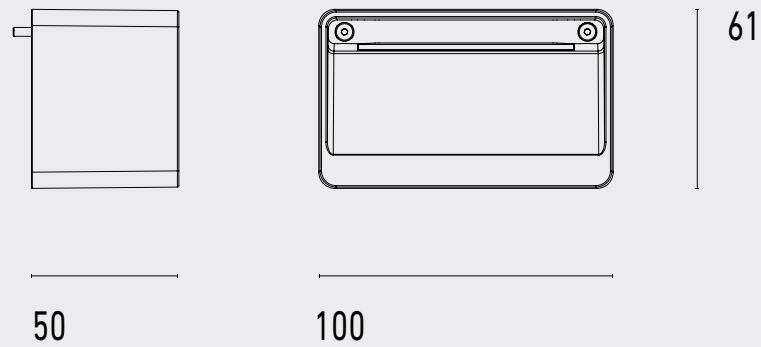


102 10 501--:---  
 Fade 100 Floor Washer Type 1

Separate LED Power Supply 24V-DC

3W 24V-DC  
 Class III  
 IP65



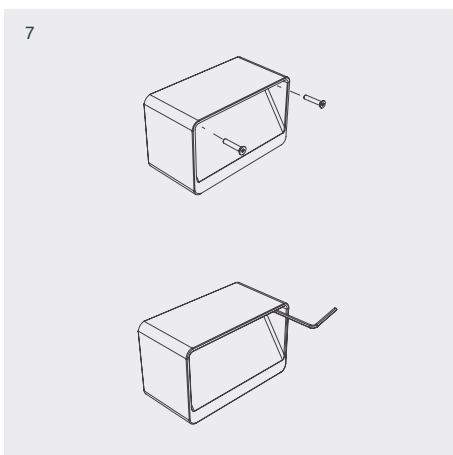
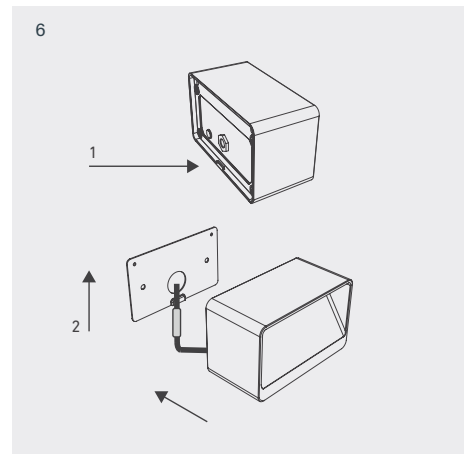
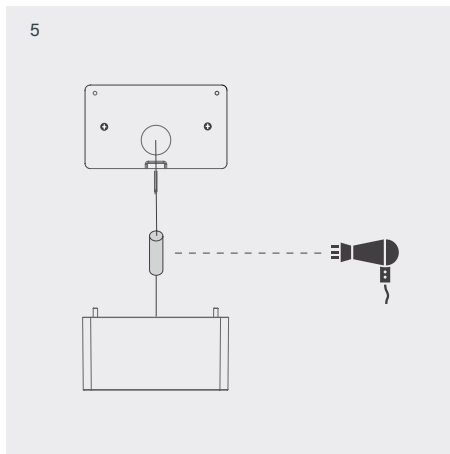
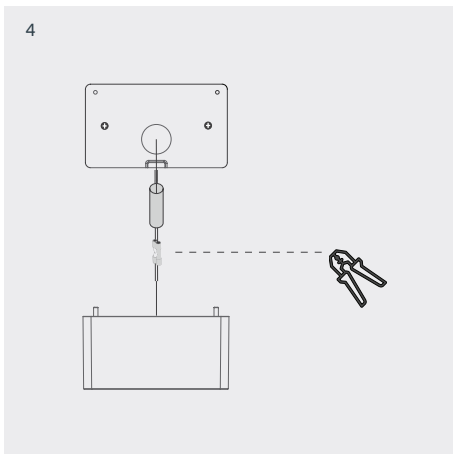
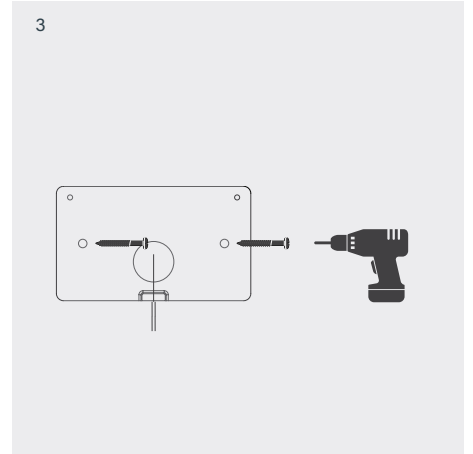
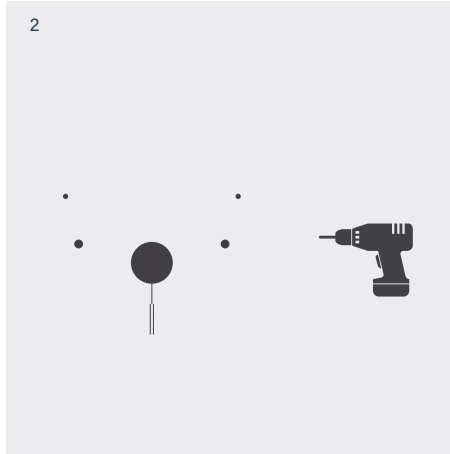
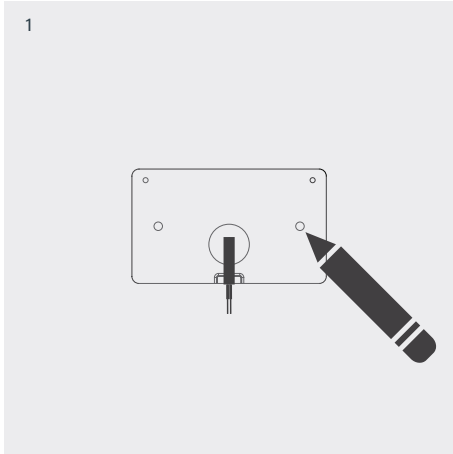
### Hole Positions

- A Mounting bracket fixation with 6mm anchor hole
- B Cable Entry
- C Clearance holes for luminaire fixation 3mm. **DO NOT** drill through mounting plate for risk of damaging thread.

102 10 501--:---  
 Fade 100 Floor Washer Type 1

Separate LED Power Supply 24V-DC

3W 24V-DC  
 Class III  
 IP65



### Installation

- 1 Mark up mounting positions using plate
- 2 Drill pilot holes
- 3 Screw mounting bracket to wall
- 4 Crimp connection
- 5 Seal connection with heat shrink
- 6 Locate tab on fixture and slide upward into detail on mounting plate.
- 7 Screw fixture to mounting plate